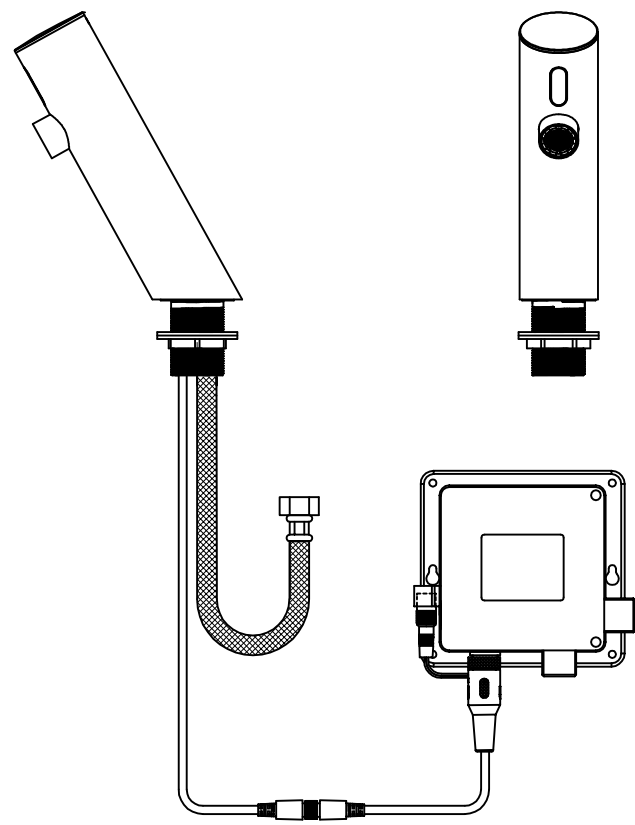


Sensor

G 1/2 "

inlet G1/2"

Note: Install aperture $\varnothing 33$ - $\varnothing 35$ mm



Hands Free Hygiene
 P: 1800 782 088 | sales@handsfreehygiene.com.au
 Handsfreehygiene.com.au

ET2-97
 Unit:mm