

PLUMBER'S INSTALLATION INSTRUCTIONS

Important Information

- * **Not suitable for gravity feed systems.**
- * **Wall outlet is fitted with a flow regulated aerator insert. This low flow rate may not be suitable for connection to some Instantaneous Gas Water Heaters, some Tempering Valves, some Solar Water Heaters & some Thermostatic Mixing Valves.**
Check with the manufacturers of these products.
- * **All pipework must be thoroughly flushed prior to installation, as foreign materials may block the flow regulating device and reduce the flow of water. Note: Aerator insert must be retightened to prevent removal by hand.**

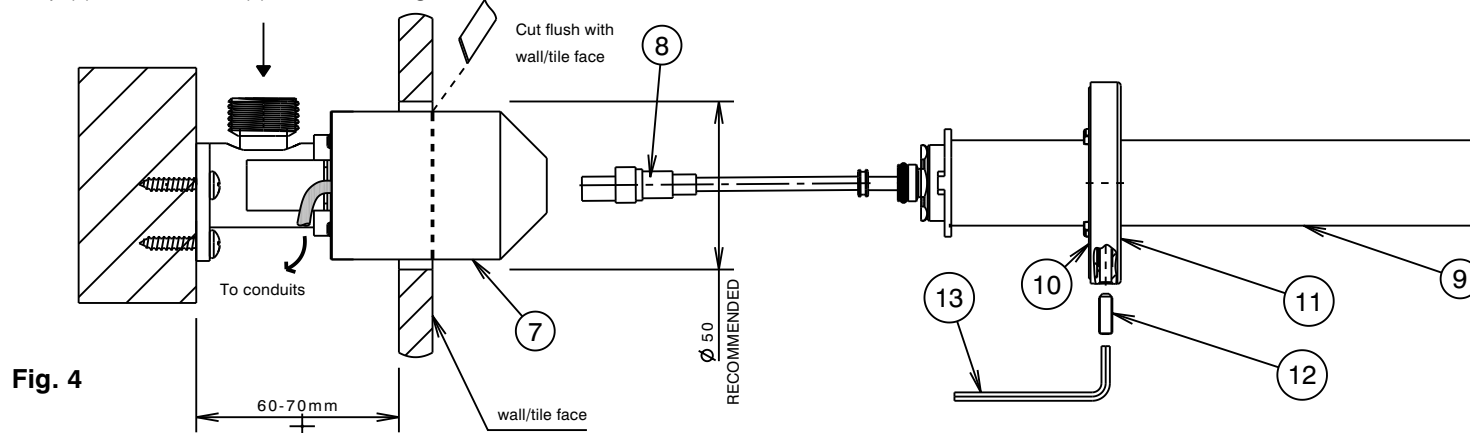
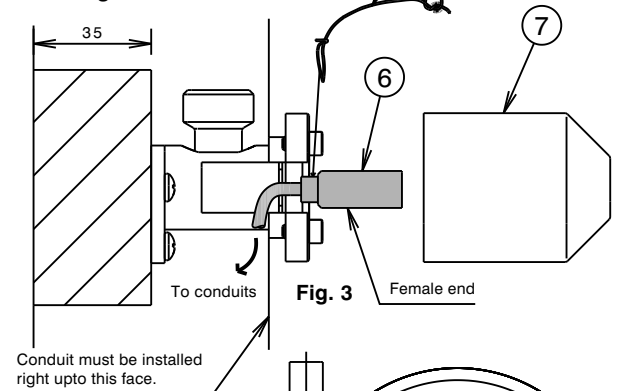
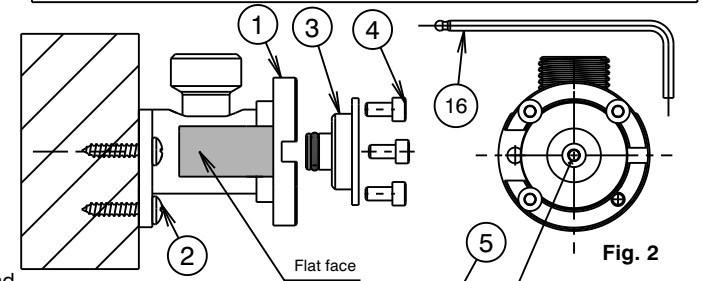
Installation

- 1) Fit elbow (1) onto wall or noggin in the wall and secure using three screws (2) through the holes in its base. **Important:** Before tightening, vertical alignment must be checked by using flat face on the LH side of elbow (1).
- 2) **Pressure test:** Remove the pressure test plug (3) by removing four M4 screws (4) using ball end allen key (16) before turning the mains on. Flush the system to remove air & foreign material. Remove pressure from the system then fit the pressure test plug (3) and pressure test in accordance with the requirements of AS/NZS 3500.1. After pressure test, release pressure in the lines by partially unscrewing four M4 screws (4).
- 3) Determine the location of the control box (sheet 2) and fit conduits between the elbow (1) and control box.
Important: The top end of the conduit must be installed right up to the rear of elbow (1) face, as shown in Fig. 3.
- 4) Pass through the male end (14) of the extension cable (15) into the conduits until the male end (14) is through the conduits. Then unscrew one of the screw (4) and partially install it on position shown in **Fig.2**. By using wire tie (5) tie one end to the screw (4) in the centre, and other end to female end (6), then fit the protective cap (7) over the elbow (1), as shown in Fig. 3 & 4.

- 5) After the wall/tile face has been completed, cut protective cap (7) with sharp knife flush against wall/tile face. (See **Fig. 4**).
Important: Extreme care must be taken while cutting the cap (7) so the cable (16) does not get cut. Cable can be partially seen through the protective cap (7).
- 6) Remove the M4 screws (4) retaining the pressure test plug (3) and pull pressure test plug (3) along with the wire tie (5) and female end (6). Discard the pressure test plug (3) and wire tie (5).
- 7) Connect Outlet cable end (8) with extension cable end (6), then Align & attach outlet spout assembly (9) to wall elbow (1), ensuring cable does not become jammed or damaged.
- 8) By using the ball end allen key retain the spout (9) using a ball ended 3mm allen key.
- 9) Slide wall cover plate (11) together with seal (10) along spout (9) until cover plate seal (10) contacts wall/tile face, tighten grub screw (12) using a 2mm allen key (13). **DO NOT OVER TIGHTEN.**
- 10) **Control Box:** Follow instructions on Sheet 2 to install control box and connect male end (14) of extension cable (15) to female end of control box cable, before the commissioning procedure.
- 11) **Commissioning Procedure:**
 - a) Power on the device at the GPO and allow the unit to complete the calibration sequence as follows:
 - 1) The indicator LED starts blinking.
 - 2) The indicator LED will turn off for 2 to 3 seconds performing calibration then a small amount of water will discharge.
 - 3) The unit is now ready to operate.
 - b) Test operation by placing hands under the sensor (within 100mm from Spout).
Water should flow within 0.5 seconds.
Remove hand and the water supply should stop within 2 seconds.

IMPORTANT

- It is the installers responsibility to ensure the installation complies with AS/NZS3500.1, AS/NZS3500.2, AS/NZS3500.4.1, AS/NZS3500.4.2 and local water authority regulations.
- Refer to side 2 of this instruction for control box installation



ELECTRONIC WALL MOUNTED OUTLET(REMOTE)

PLUMBERS INSTALLATION INSTRUCTIONS - CONTROL BOX

Control Box Mounting Instructions:

- 1) **Remove control box cover:** Using a phillips head screwdriver, remove cover retaining screw. Apply a light force to the small button underneath and gently lift off cover (Fig.3). With the cover removed you can see a hexagonal brass nut. Remove this nut and replace it with enclosed solenoid.
- 2) **Determine location & fasten control box to wall:** Control box should be located within 300mm from the wall outlet. Attach control box to wall using 4 supplied wall plugs & screws (Fig.4).
- 3) Connect power supply to a 240VAC, 10A GPO. **Ensure that supply of power has been isolated.**

The power outlet should be located no more than 300mm from the control box when using the standard cable.
If a longer separation is required, please use optional extension cable (98454) to extend the distance up to a maximum of 2.2 meters.

- 4) **Connect cables to controller:** Remove split strain relief from box & connect Power Supply cable to Control Module as shown in Fig. 2. Then connect Control Module to Tap Sensor Cable and Tap Sensor Cable to Solenoid. Open the relief and pass Power Supply cable and Tap Sensor Cable through. Wind up any excess Power Supply cable and store inside the control box. Re-insert the strain relief and ensure that power, sensor, solenoid and module cables are connected and secured (Fig.2).
- 5) Flush the inlet and outlet lines before connecting to the Control Box. Then connect inlet and outlet lines.

- 6) **Commissioning Procedure:**
 - a) Turn on mains water supply & check for leaks at both ends of the mains supply hose.
 - b) Open the control box isolation valve and check for leaks at the remaining connections.
 - c) Re-attach cover and fasten with retaining screw.
 - d) Power on the device at the GPO and allow the unit to complete the calibration sequence as follows:
 - 1) The indicator LED starts blinking.
 - 2) The indicator LED will turn off for 2 to 3 seconds performing calibration then a small amount of water will discharge.
 - 3) The unit is now ready to operate.
 - e) Test operation by placing hands under the sensor (within 100mm from outlet of spout). Water should flow within 0.5 seconds. Remove hand and the water supply should stop within 2 seconds.

IMPORTANT: Please refer to Operation Manual (IS 1683) to configure wireless communication and change the device default settings.

IMPORTANT

- Static Inlet pressure range : 150 - 700 kPa.
New Regulation : 500 kPa maximum static pressure at any outlet within a building. (Ref. AS/NZS 3500.1)
- Refer to side 1 of this instruction for wall outlet installation.

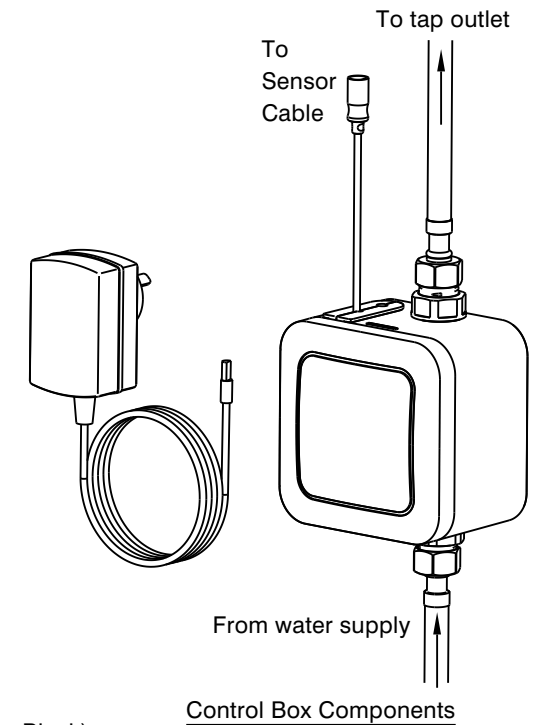
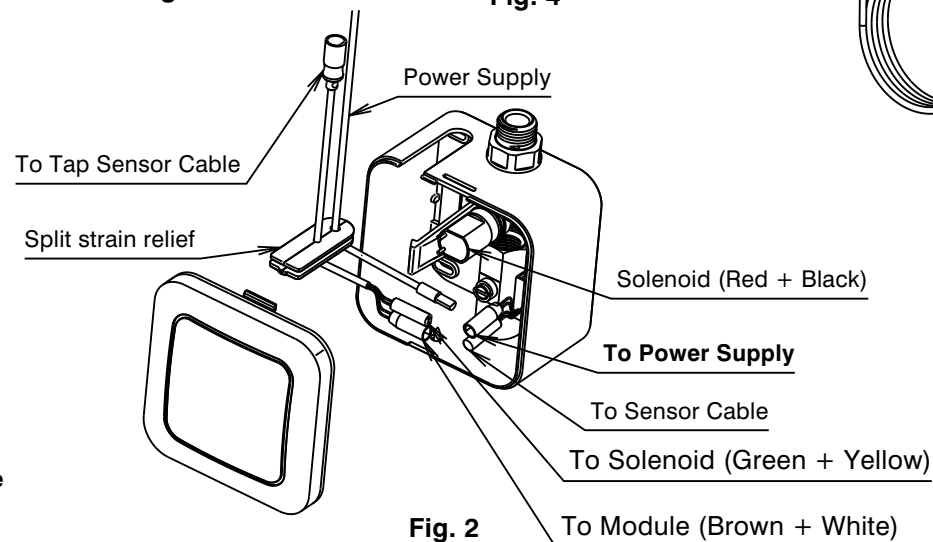
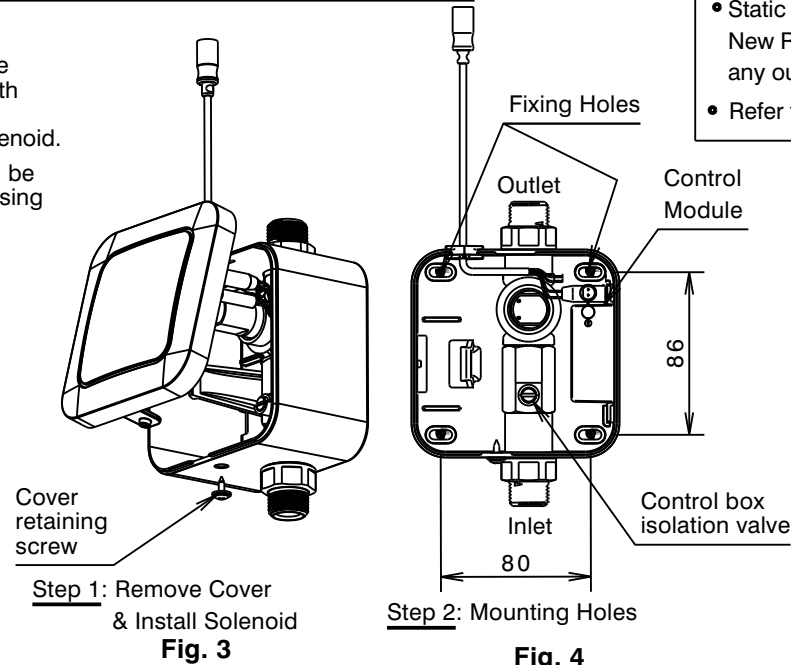


Fig. 5