



SPECIFICATION

Bench Mounted Automatic Soap Dispenser shall hold 1600 ml of liquid soap within the viscosity range of 100 – 3500 cP (MPa•s) and dispense in cycles of single shot volume of approximately 1.25 ml. Operation is initiated by hands-free sensor controlled by microprocessor digital circuitry powered by four (4) D size 1.5 V batteries (supplied by others) in a screw-locked compartment located under counter. Unit shall have type 304 stainless steel alloy 18-8 spout with a polished finish over all exposed surfaces and a chrome plated sensor housing. Unit shall have LED's to indicate function, battery condition and soap supply level on front face. Below counter tank shall be translucent to show quantity of soap remaining at any time. Tank shall be easily disengaged and engaged into control housing by push button to facilitate refilling. Concealed switches in control housing shall allow two (2) modes of soap level indication. Unit shall mount on vanity deck through 1" diameter (Ø25) hole. Mounting template and Owner's Manual shall be provided with unit in each carton.

INSTALLATION

Mount spout and sensor housing to vanity with rubber washers and basin nut (supplied) through mounting hole in deck (provided by others). A 3/8" (10) high spacer is provided for installation with raised rim vanity basins. Mount battery compartment in convenient location under vanity deck with two (2) screws and wall anchors (supplied). Install four (4) D size 1.5 V cells (supplied by others) in under-deck battery compartment according to polarity indication and screw lock cover. Fill tank with appropriate viscosity soap to correct level and latch into port. Connect control and battery power cables plugs into control unit.

SOAP REQUIREMENTS

Proper usage of this dispenser requires, that only soap within the following range for viscosity and pH may be used:

- Viscosity Range (mPa•s or cP): 100 – 3500
- pH Range: 5.5 – 8.5

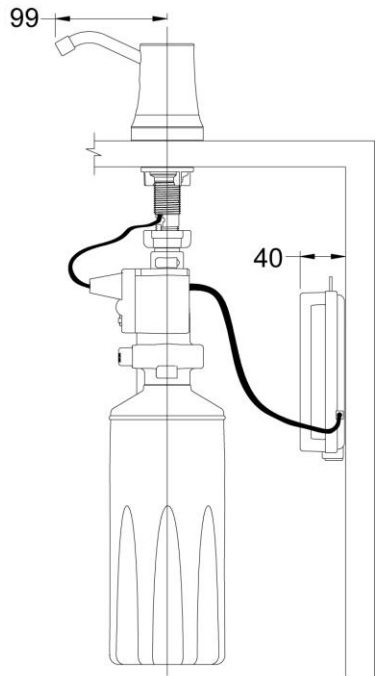
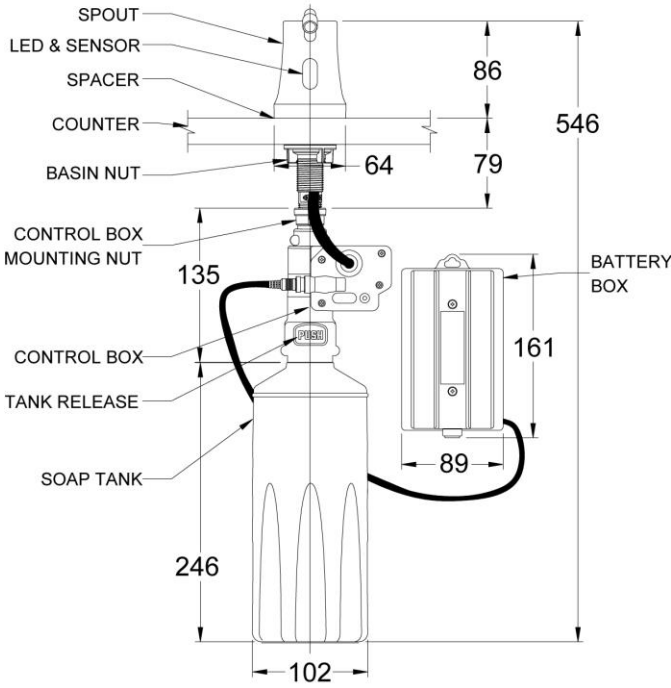
OPERATION

Unit shall operate each time an object is positioned within the sensing range under the spout. A drop of 1.25 ml of soap will be pumped from the nozzle upon each activation. Unit will dispense soap while batteries are at suitable charge level and correct viscosity soap is present in the tank (red or blue LED is not flashing or solid on). Push button releases tank for easy refilling. LED will display red flash for sensing, solid red for low battery condition and solid blue for low soap level. Soap is manually replenished and batteries are replaced on service interval determined by maintenance schedule.

WARRANTY

One year.

**Bench Mounted
Automatic Soap Dispenser
Model No. 10-20333**



Hands Free Hygiene

Ph: 1800 039 764

sales@handsfreehygiene.com.au

handsfreehygiene.com.au