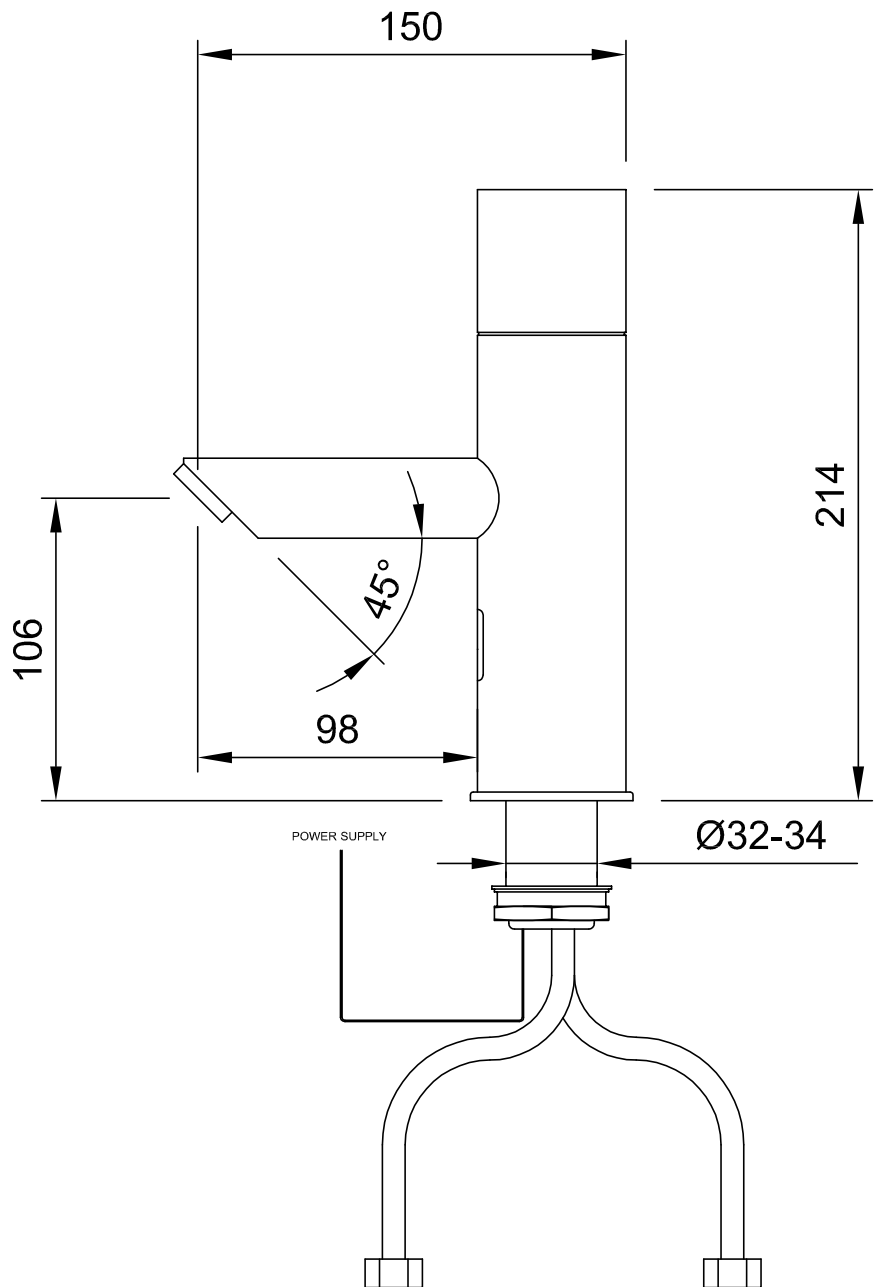
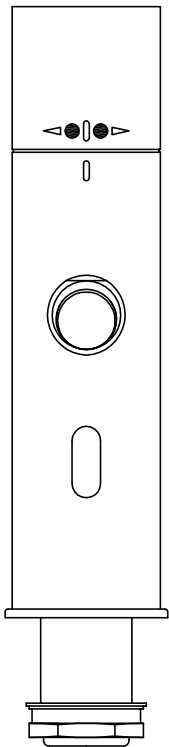


Hands Free Hygiene

Ph: 1800 039 764

sales@handsfreehygiene.com.au

handsfreehygiene.com.au



**DOLPHIN BLUE MEDICAL INFRARED TAP
WITH THERMOSTATIC MIXING VALVE
DB1000C / DB1025C**