

# Enware-Oras Electra Goose Neck Sensor Tap Single Temperature - 170mm Reach

The Electra Goose Neck range from Enware-Oras combines advanced electronic auto-focus technology with Nordic design and engineering. High in quality and easy to use. A perfect choice for all commercial 'Hands Free' washroom applications especially when a higher and longer spout is desired such as health applications. This single temperature version can be used for either premixed warm water or cold water supply.

## ENM6320



### FEATURES

- Auto-focus infrared sensing technology with triangulation for a more consistent, reliable operation
- Improved user friendliness with intelligent activation and after-flow technology
- Low power consumption
- Electronics have IP67 rated protection against water and humidity
- Single temperature for cold or premixed warm water
- 170mm reach fixed spout
- 12V Mains supply or 6V battery operated models
- Single point fixing (not recommended for vandal prone applications)
- Supplied with WELS 6 Star (5.5lpm) water efficiency rating as standard
- Sensor can be programmed on site for various functions: intelligent afterflow 1, 2, or 8 sec, periodic flush every 24hr or 72 hr, and reduced sensitivity mode.

### Product Code

- ENM6320** Mains Powered - 6 Star WELS Rating (5.5lpm)  
**ENM6350** Battery Operated - 6 Star WELS Rating (5.5lpm)

### OPTIONS

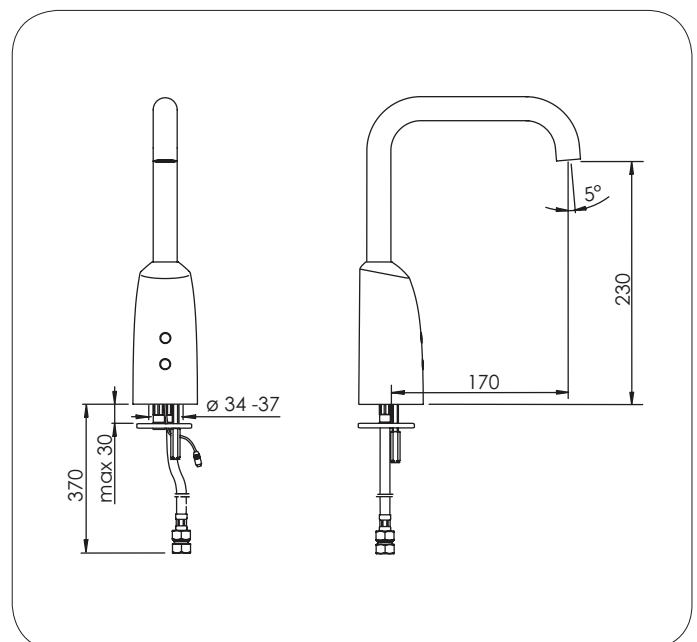
- Low flow cold water only option with a low 3lpm flow rate where extra water efficiency is preferred
- For alternate spout lengths please contact Enware
- Temperature adjustable model is available
- Mains Power transformer with 4.5m lead - order code ENMS230



### Technical Information

Connection	3/8" & 1/2" BSP Flexi Connector
Recommended Working Pressure	100 - 500kPa
Maximum Operating Temperature <sup>^</sup>	70°C
Sensor Range	Optimally Preset using Auto-Focus technology
Mains Powered	12V transformer with 2m lead Input: 100-240V~50/60Hz Output: +12V DC 1000mA
Battery Powered	6V Lithium 2CR5 battery Battery life guide: 4 ± 1 years
Protection Class	IP 67
Max Continuous Flow Period	2 Minutes

<sup>^</sup> Enware tapware must be installed in accordance with the provisions of, AS/NZS3500 and any relevant local regulations. Installations not complying with AS/NZS3500 may void the product and performance warranty provisions. Heated Water supply AS/NZS 3500.4.



Version: Jun 17

Hands Free Hygiene

P: 1800 782 088 | sales@handsfreehygiene.com.au

Handsfreehygiene.com.au

  
**hands free hygiene**  
 clean hands, safe hands