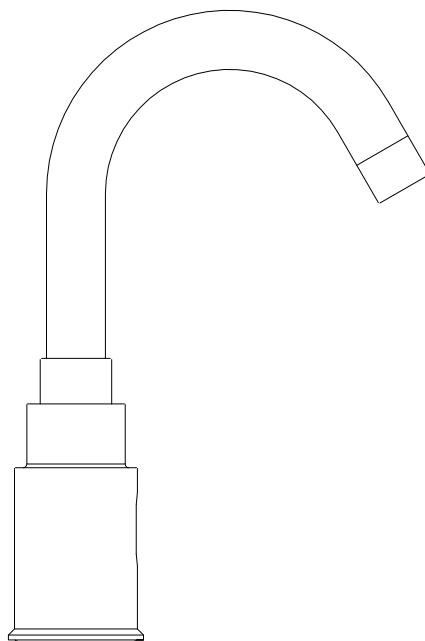




hands free hygiene
clean hands, safe hands

INSTALLATION INSTRUCTIONS
ELITE BENCH MOUNTED SENSOR TAP
ET2-24.4



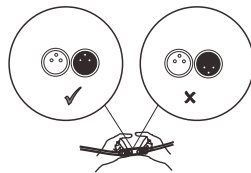
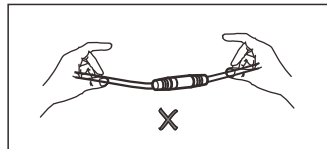
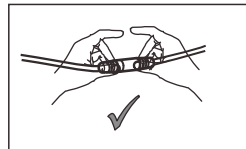
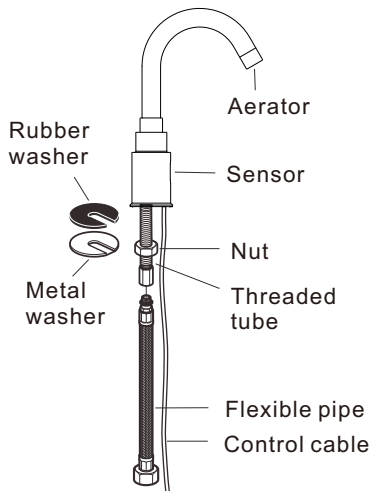
INSTALLATION INSTRUCTIONS ELITE TAPWARE BENCH MOUNTED

We strongly recommend that you use a qualified and registered plumber and electrician. You must ensure that all pipe work is flushed adequately, particularly in new builds or where lines have been disrupted. Components of sensor taps are particularly susceptible to debris and will require more thorough flushing than a standard plumbing fixture. Failure to flush lines adequately will result in blocked or leaking valves (check/solenoid) or a dripping tap soon after installation and is not covered by the Enviro-Tech warranty.

TECHNICAL SPECIFICATION

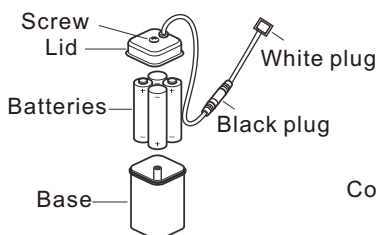
Function	Elite Tapware Bench Mounted
Power Input	DC: 6V (4X1.5V AA alkaline batteries) AC:220-240V (50/60Hz)
Power Consumption	<0.3MW
Power Supply	4 AA alkaline batteries or transformer
Water Pressure	100kPa-500kPa
Inlet/outlet Diameter	15mm 1/2G
Detection Zone	Self adjusting
Confirmation Time	1 second

TAP PARTS



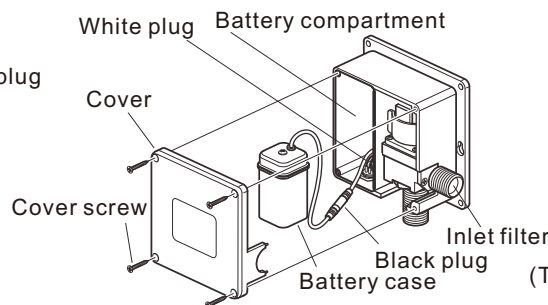
Attention:
Hold the plug not the wire to connect and disconnect and make sure the pins align to the holes in the right position.

BATTERY INSTALLATION

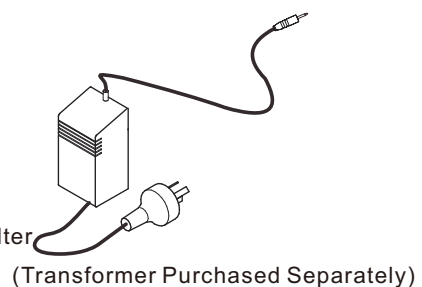


WARNING:
Carefully unplug the black battery plugs, if the battery box cable is pulled the main power white plug can be pulled out from the control box. This will result in the control box not functioning.

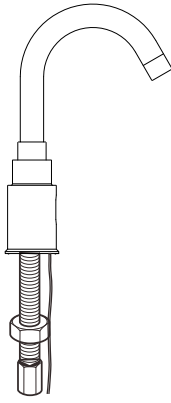
CONTROL BOX PARTS



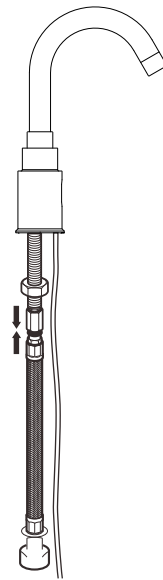
TRANSFORMER



1

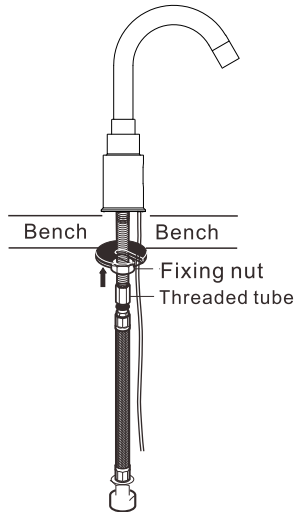


2



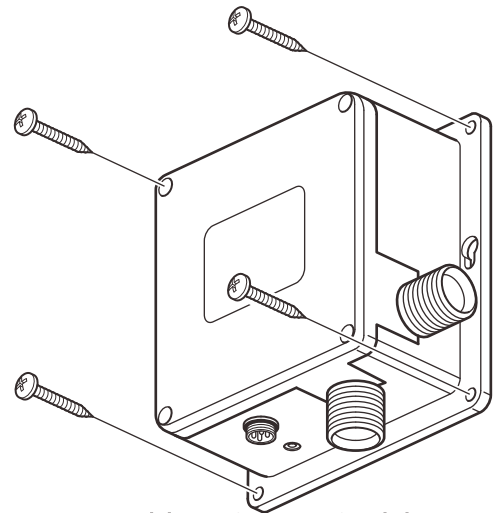
Screw the flexihose on to the bottom of the threaded tube, hand tighten only.

3



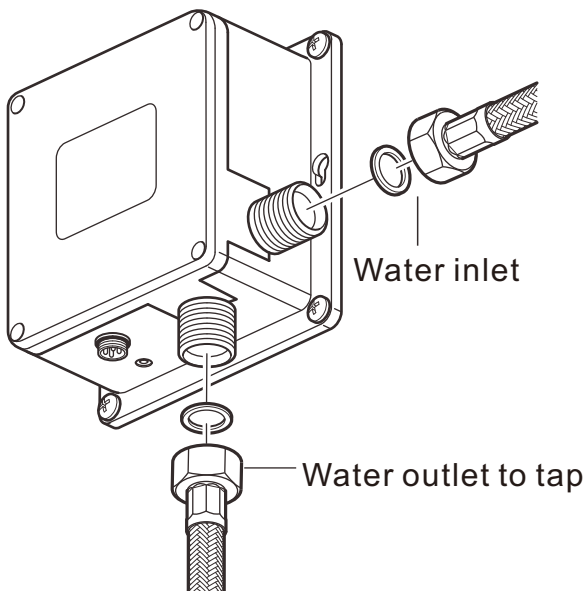
Tighten the fixing nut to secure tap to bench top (do not over tighten as this may damage bench top) Do not tighten the threaded tube.

4



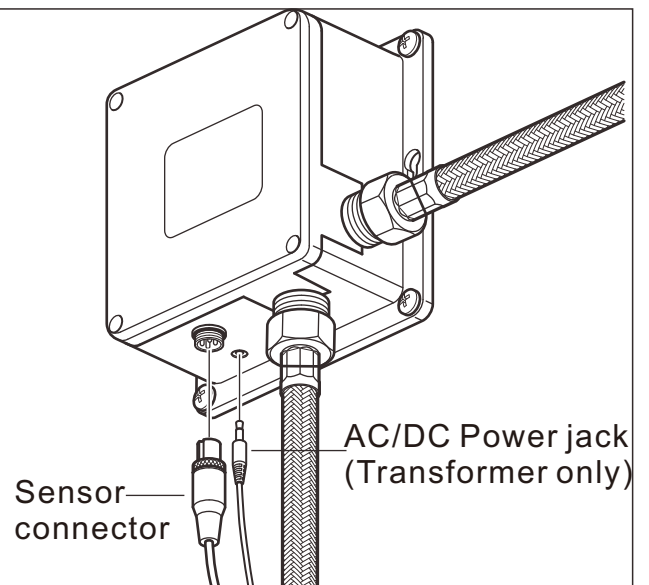
Screw control box in a suitable position under the basin making sure flexihose and control cable can reach.

5



Make sure that the rubber washers are in place in the flexihoses.

6



Hold the plug not the wire to connect and disconnect.

TROUBLE SHOOTING

Problem	Possible Cause	Solution
No water out or water will not turn off	Most common: No water supply/No Power Sensor obstructed	<ul style="list-style-type: none">• Check water and power supply, change batteries.• Unplug all cables, leave unplugged for 5 minutes and reconnect everything carefully. Clean sensor
Too little water flow	Low water pressure/pressure is turned down The filter or solenoid is dirty	Adjust/raise the pressure Clean the filter. Clean/replace solenoid
Too much water flow	Water pressure is too high	Adjust pressure
Indicator light is off/flashing	Batteries are flat Bad connection	Replace batteries Check connections
Tap is self-activating	All infra-red technology can be affected by strong or directional light, reflective surfaces or high-viz clothing. This is due to environmental factors and is not a product fault.	